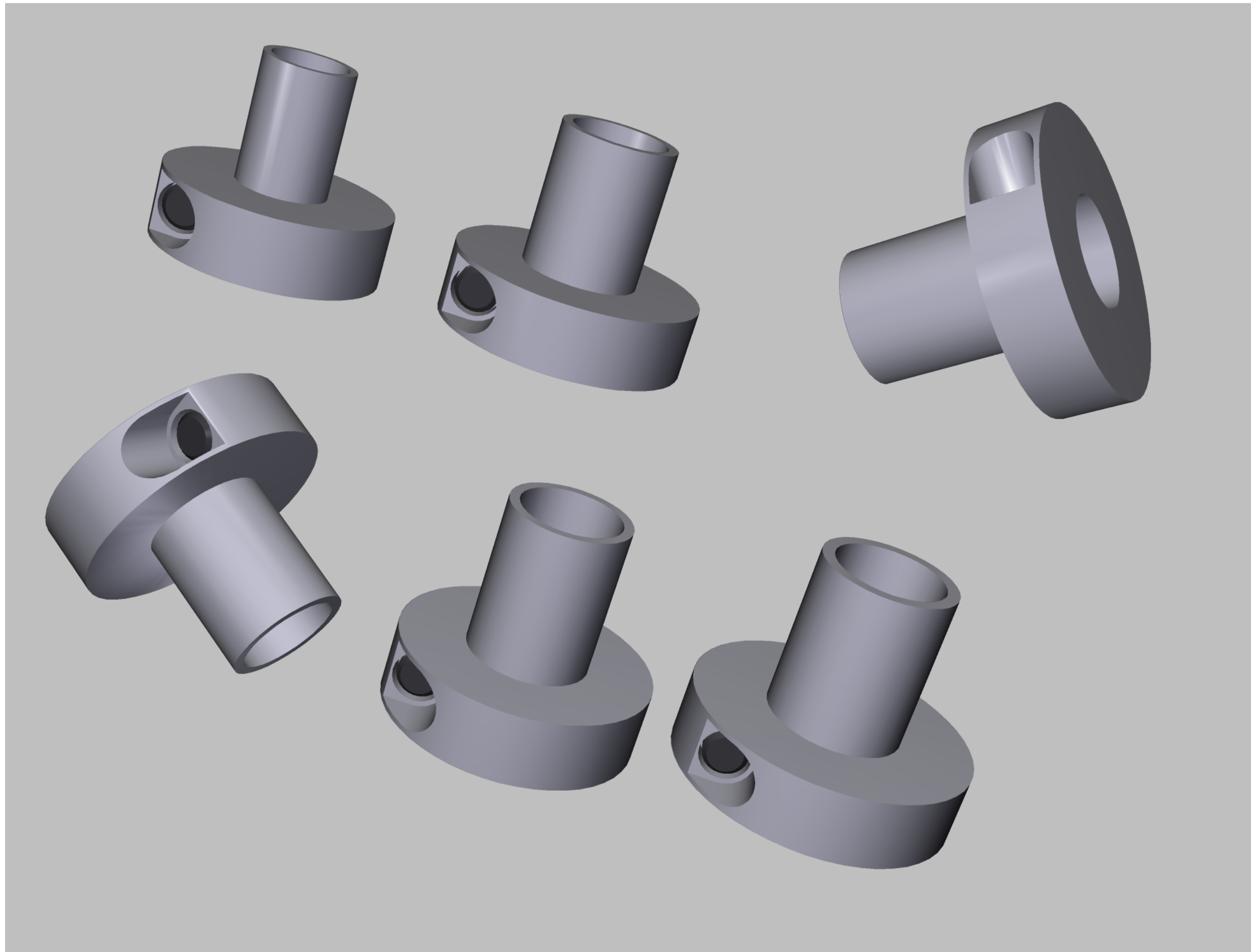


Click on object to activate 3D controls



Click [here](#) for 3D CAD file downloads of this part/assembly



Click [here](#) for latest Adobe Reader



Click [here](#) for Windows Media Player