



**Lovejoy** World's Top Manufacturers For Couplings

**Every Coupling, Everywhere.**

**Lovejoy® Disc Couplings**

**Help Coal-Fired Power Plants Achieve A Lubrication-Free Environment**

The plant manager who uses careful foresight and long-range planning to select replacement parts can reap both engineering and economic benefits. The Lovejoy Disc Coupling offers a superior design, sound engineering capabilities, and long-range economic value.

In addition, this coupling requires no lubrication, a major step towards reaching the goal of a lubrication-free plant environment.

Call 905-670-9421 for case studies and cost comparisons or visit us at [www.lovejoy-inc.com](http://www.lovejoy-inc.com)


Info Card 50




**Standard & Custom All-in-One. Ingenious.**

Introducing a new hybrid designed panel that allows for very fast delivery. Order from one of the [18 standard configurations](#) or [customize yours](#) to suit your application, equipment and design.

A new extrusion design provides direct front or rear, operator panel installation using clamps, bolts, or screws. A mounting channel around the command panel enables a keyboard tray or accessories such as mouse pad supports, handles or clipboards to be installed in a matter of minutes. [The easy and flexible way to save time and money.](#) The answer to your puzzle is finally here - the Comfort Panel.



**Rittal - Innovating for a Fascinating Future**



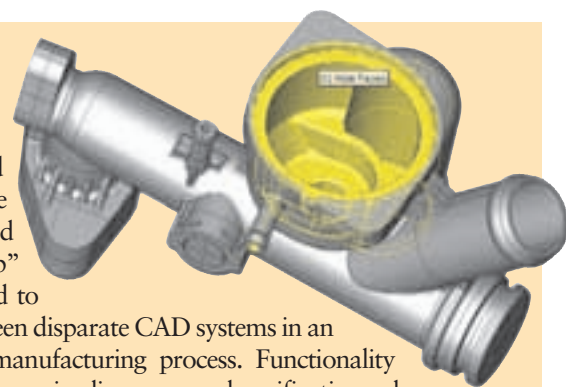
**Rittal Systems Ltd**  
Mississauga • Montreal • Calgary • Vancouver  
[www.rittal.ca](http://www.rittal.ca)

Info Card 51

## CAD Chronicle

### 3D CAD model repair and editing environment

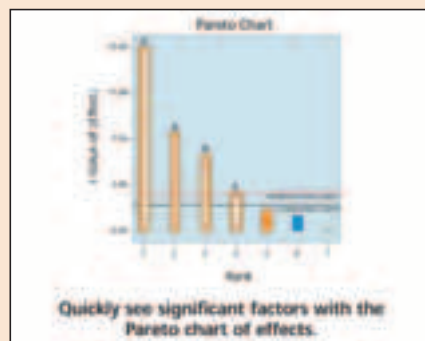
Kubotek USA has introduced REALyze, an integrated set of software tools developed to help engineers and designers understand and edit “dumb” geometry. The product is also designed to help users share imported models between disparate CAD systems in an effort to streamline the design and manufacturing process. Functionality includes fully automated and manual repair, discovery and verification, plus newly added covering (n-sided fill) techniques for local model repair, as well as a free-form approach to changing imported models and dumb geometry for downstream reuse.



[kubotekusa.com](http://kubotekusa.com)

Info Card 331

### Design of experiments



Stat-Ease, Inc. has released Design-Expert version 7 software, a program for design of experiments (DOE) for manufacturers. It is designed so that users can quickly set-up an experiment, analyze data and graphically display the results. It can be used to screen for vital factors, identify ideal process settings with response surface methods (RSM), and discover optimal product formulations via mixture design.

[statease.com](http://statease.com)

Info Card 332

### PDF visualization in 3D



Adobe Systems has announced Adobe Acrobat 3D, desktop software that is said to help extend 3D design collaboration capabilities. With Acrobat 3D, users can convert 3D models from a wide variety of CAD formats and embed them into Adobe PDF files, regardless of whether they have CAD software. Users can enhance the interactivity of 3D objects in PDF documents by editing lighting, adding textures and materials, and creating animations such as assembly/disassembly instructions.

[adobe.com](http://adobe.com)

Info Card 334

### Plastics simulation software

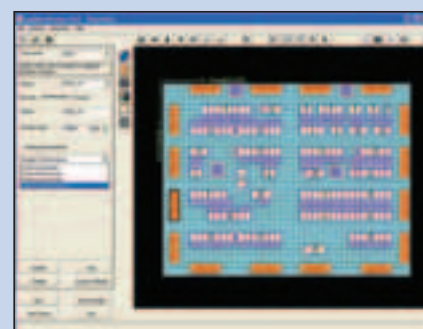


Moldflow Corp. has announced release 6.0 of Moldflow Plastics Insight (MPI) plastics design analysis software. MPI 6.0 is said to help users interact better with CAD, structural analysis and other Moldflow applications. Two new technologies in the software assist with 3D filling and warpage applications. The coupled 3D Flow solver is up to 8x faster, and renders more accurate temperature and shear heating calculations, has capabilities to predict air traps and to simulate gas penetration in 1D beam elements. 3D Warp solver technology is said to provide results up to 35x faster than previously.

[moldflow.com](http://moldflow.com)

Info Card 335

### Data centre airflow

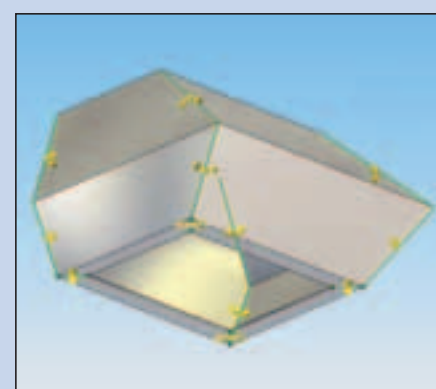


Fluent Inc. has announced software for data centre cooling, CoolSim. The program is said to take into consideration all critical thermal aspects of data centre operations, from plenum to ceiling. Software models are also said to accurately reflect equipment density, power consumption, room and rack layout and HVAC/CRAC configurations. A reporting feature can identify conditions such as hot and cold aisle effectiveness.

[coolsimaudit.com](http://coolsimaudit.com)

Info Card 333

### Analysis/design in 64-bit



SolidWorks Corp. has released the 64-bit versions of SolidWorks CAD and COSMOS design analysis software. SolidWorks 2006 x64 Edition and COSMOS 2006 x64 Edition are said to leverage the performance and scalability of the Windows XP Professional x64 Edition operating system, giving users a 8 terabytes of memory.

[solidworks.com](http://solidworks.com)

Info Card 330